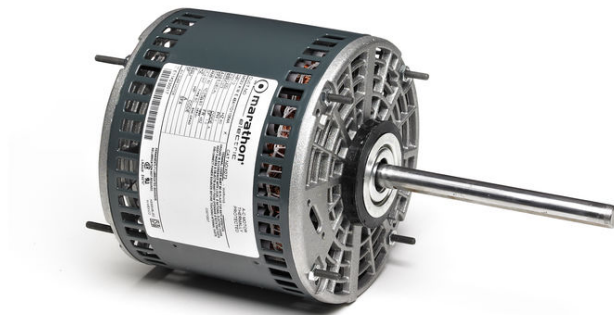


PRODUCT INFORMATION PACKET

Model No: 048A11O11066
Catalog No: X077
1/2,1075,OPAO,48Y,1/60/115
Direct Drive



Regal and Marathon are trademarks of Regal Beloit Corporation or one of its affiliated companies.
©2018 Regal Beloit Corporation, All Rights Reserved. MC017097E



Nameplate Specifications

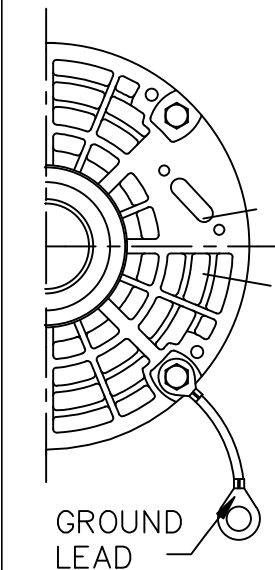
Output HP	0.50 Hp	Output KW	0.37 kW
Frequency	60 Hz	Voltage	115 V
Current	6.1 A	Speed	1075 rpm
Service Factor	1	Phase	1
Efficiency	64 %	Duty	Continuous
Insulation Class	B	Design Code	NO DESIGN CODE
KVA Code	A	Frame	48Y
Enclosure	Open Air Over	Overload Protector	Automatic Lock Rotor Only
Ambient Temperature	40 °C	Drive End Bearing Size	6203
Opp Drive End Bearing Size	6203	UL	Recognized
CSA	N	CE	N
IP Code	10		

Technical Specifications

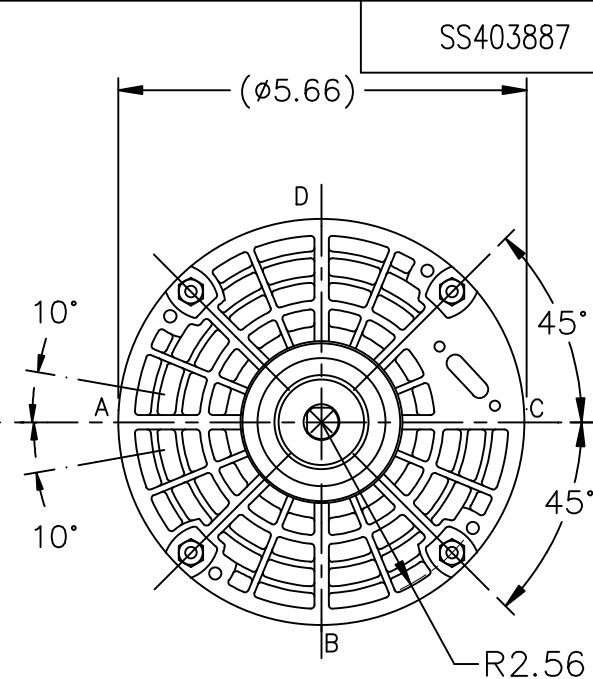
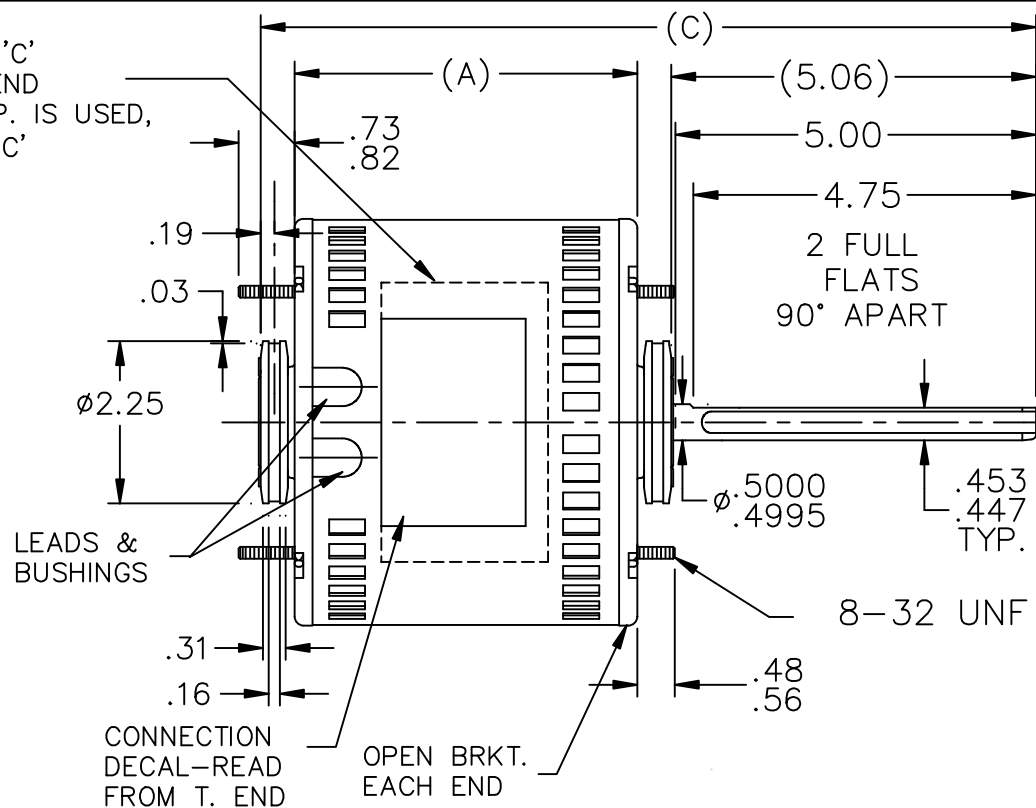
Electrical Type	Permanent Split Capacitor	Starting Method	Across The Line
Poles	6	Rotation	Selective Counterclockwise
Mounting	Resilient Ring - Extended Studs	Motor Orientation	Horizontal
Drive End Bearing	Ball	Opp Drive End Bearing	Ball
Frame Material	Rolled Steel	Shaft Type	Single Special Extension
Overall Length	11.00 in	Frame Length	4.50 in
Shaft Diameter	0.500 in	Shaft Extension	5.06 in
Assembly/Box Mounting	F1 Only		
Outline Drawing	A-SS403887-450	Connection Diagram	6906485

This is an uncontrolled document once printed or downloaded and is subject to change without notice. Date Created: 10/08/2018

NAMEPLATE LOC. @ 'C'
 READ FROM TERM. END
 WHEN TWO PART N.P. IS USED,
 CENTER PIECES AT 'C'



TERM. END



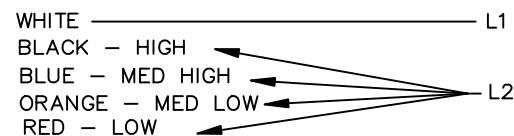
LEAD DESCRIPTION:

DASH	FR.	C	A
425	48Y	10.75	4.75
450	48Y	11.00	5.00

1 WHITE, 1 BLACK, 1 BLUE, 1 RED, & 1 ORANGE LEAD WITH .25 FLAG-TYPE QUICK CONNECTS 36.00" LONG.
 1 BROWN & WHITE AND 1 BROWN LEAD WITH .25 FLAG-TYPE QUICK CONNECTS 36.00" LONG.

REVERSING LEADS ARE MOLDED INTO MATING PULL-APART PLUGS. 1 YELLOW & 1 PURPLE LEAD PER PLUG. 6.00" LONG.

GREEN GROUND LEAD WITH TERM. FOR #10 SCREW 12.00" LONG.



INSULATE UNUSED SPEED TAP LEADS SEPARATELY. BROWN/WHITE BROWN — CAP.

TOLERANCES UNLESS SPECIFIED

DEC. INCHES

.X ±.1

.XX ±.03

.XXX ±.005

.XXXX ±.0005

CHK ANG ±7'30"



TITLE OUTLINE

MAT'L.

FINISH

DRAWN NB 12/29/09

CHK NB 12/29/09

APPD NB 12/29/09

SCALE 3=8

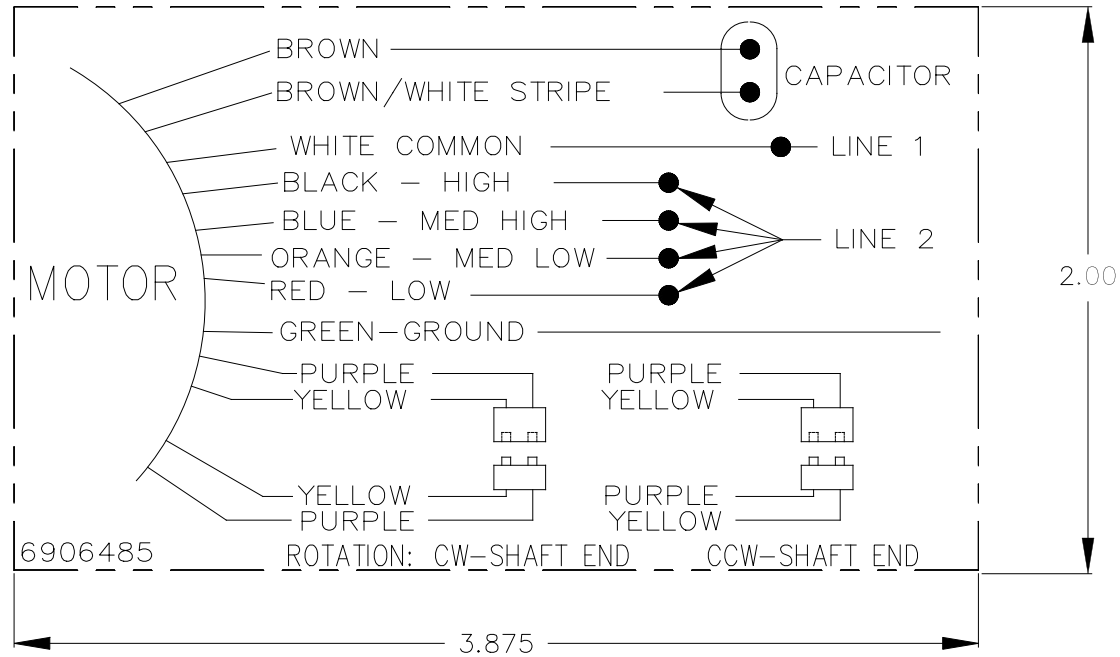
REF SS403373

FMF 048A11011066

PREV

NO.	REVISION	BY & DATE

RFP	CAD FILE ss403373	SIZE A	DRAWING NO. SS403887	PAGE OF	REV.
DIST WP					



		TOLERANCES UNLESS SPECIFIED		MARATHON ELECTRIC	DRAWN KK 12/16/16	
		DEC.	INCHES		CHK	
		.X	±.1	TITLE OUTLINE	APPD KK 12/16/16	
		.XX	±.03		SCALE	1=1
		.XXX	±.005		REF	
		.XXXX	±.0005		MAT'L.	
NO.	REVISION	BY & DATE	CHK ANG ±7'30"	FINISH	PREV	
THIS DRAWING IN DESIGN AND DETAIL IS OUR PROPERTY AND MUST NOT BE USED EXCEPT IN CONNECTION WITH OUR WORK ALL RIGHTS OF DESIGN AND INVENTION ARE RESERVED THIS IS AN ELECTRONICALLY GENERATED DOCUMENT - DO NOT SCALE THIS PRINT				RFP	CAD FILE 6906485	SIZE A
				DIST WP		DRAWING NO. 6906485
						PAGE OF REV.

FORM 3531 REV.3 02/07/99

** Subject to change without notice.